



Direct-on-line  
starter  
M1P00912...B0

Product designation

Product type designation

**Electrical features**

Relay adj range	A	9-14	
IEC technical characteristics (=440V)	le kW	A kW	13 5.5

**Components**

Starter enclosure standard supplied	M1PA
Contactor standard supplied	BF0910A
Thermal relay standard supplied	RF381400

**UL technical data**

Maximum UL/CSA horsepower ratings single-phase	110V-120V	HP	0.75
	220V-240V	HP	2
Maximum UL/CSA horsepower ratings three-phase, 3-pole	200V-208V	HP	3
	220V-240V	HP	3
	440V-480V	HP	5
	550V-600V	HP	7.5

**Mechanical features**

Weight	g	1040
--------	---	------

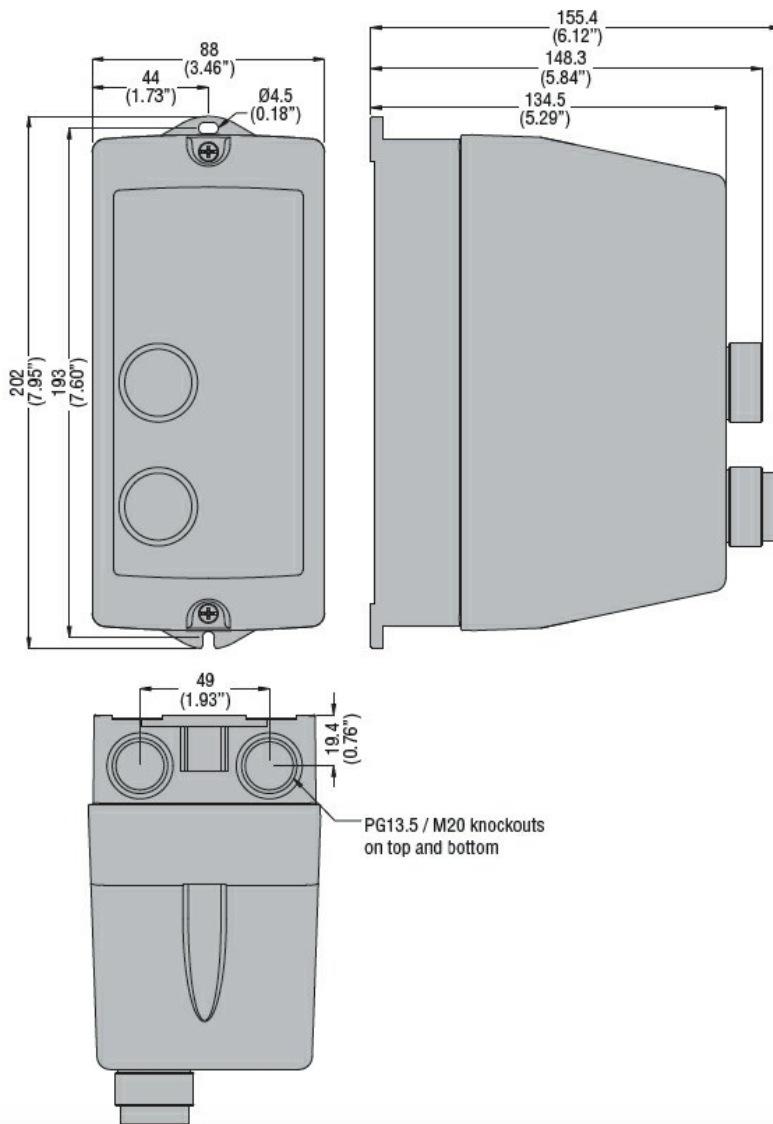
**Ambient conditions**

Operating temperature	min	°C	-25
	max	°C	+60
Storage temperature	min	°C	-40
	max	°C	+70

**Resistance & Protection**

Frontal IP degree	IP65
-------------------	------

**Dimensions**



Wiring diagrams

